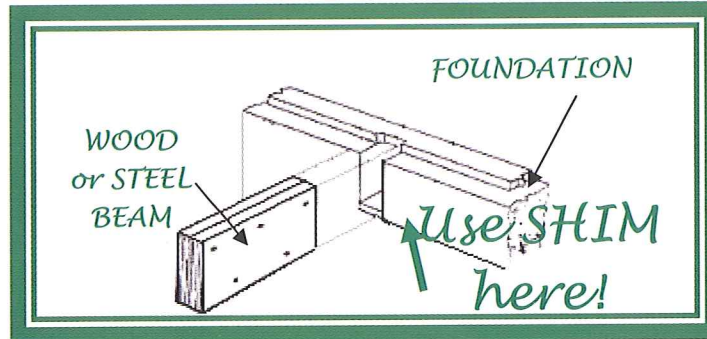




# BUCKET O' SHIMS FOR BASEMENT BEAM POCKETS



## **WHY YOU SHOULD USE BEAM POCKET SHIMS:**

- ♣ *HIGH DENSITY PLASTIC will not RUST like Steel or CRUSH like wood*
- ♣ *HOLDS 5,293 PSI*
- ♣ *MEETS CODE FOR VAPOR BARRIER*

### **SIZE:**

**3-5/8" X 5-3/8"**  
(SIZED FOR 3-1/2" OR 5-1/4" WIDE BEAMS)

### **EACH BUCKET CONTAINS:**

**25 - 1/8"**  
**25 - 1/4"**  
**25 - 3/8"**

**ASK YOUR WAUSAU REP FOR MORE DETAILS!**